



WRAP-AROUND LABELER

CVC 300.U2



The CVC 300.U2 Wrap-Around Labeler is built to automatically apply pressure sensitive labels onto round containers at up to 200 bottles per minute. The CVC 300.U2 is servo motor controlled, comes standard with a touch screen HMI, and can be ordered with various inspection options including bar code verification, vision, and missing label detection. The CVC 300.U2 labeling system is an ideal machine for contract packagers and manufacturers serving the pharmaceutical, nutraceutical, and food markets.

The CVC 300.U2 labelers include our SelfSet™ software which utilizes a high frequency encoder for extremely easy setup and wrinkle free labeling at the touch of a button. It can run stand alone or integrated into a full packaging line.



All CVC labelers include SelfSet™ software which utilizes a high frequency encoder for extremely easy setup and wrinkle free labeling at the touch of a button.

STANDARD FEATURES

- Self-Set auto adjusting control system
- Stainless steel frame on lockable casters
- Stainless steel flat-bed conveyor with 4" wide table top chain, upgradeable to 6" wide
- Touchscreen HMI
- Label head with up to ± 1 mm (1/32") accuracy (*bottles/ containers dependent)
- Label sensor for paper or opaque labels
- Product sensor with opaque and clear bottle mode
- Variable speed separator wheel
- Type 304 stainless steel construction
- ISO 9001 : 2015 certified

CVC 300 Technical Specifications

Type	U2
Productivity	Up to 200 BPM (subject to trial confirmation) Labeling Speed: 50 M/min
Applicable Size	Label: Length: 15-650 mm (1/2" to 10") Width: (depend on label head type) A: 15- 80 mm (1/2" to 3") B: 15-120 mm (1/2" to 4 3/4") C: 15-150 mm (1/2" to 6") D: 15-180 mm (1/2" to 7") E: 15-220 mm (1/2" to 8 3/4") F: 15-265 mm (1/2" to 11 1/2") Bottle: Dia.: Ø30-210 mm (1.2" to 8.3") (depend on conveyor width) Height: 50-320 mm (2" to 12 1/2")
Power Source	110/220 V, 50/60 HZ, 1 PH
Power Consumption	902 VA (110V: 8.2 A, 220V: 4.1 A)
Air Pressure	6 bar (87 psi)
Air Consumption	50 NL/min (1.8 CFM) (for optional Lot/Date printer)
Machine Dimensions (L x W x H)	2,000 x 1,070 x 1,425 mm (Including conveyor) [6'-7" x 3'-6" x 4'-8"]
Machine Weight	200 kg (440 lbs)
Noise Level	≤ 75 dB

Technical data contained in this material are not binding and may be subject to change without prior notice.

TECHNICAL SPECIFICATIONS

AVAILABLE OPTIONS

- Clear Label Sensor
- Bar Code Verification
- Missing Imprint Check system
- Missing Label on Bottle Check
- Bottle Sorting and Verification
- 3-Color Tower Stack Light
- Bottle Feed Screw
- Infeed Rotary Table / Rotary Accumulation Table
- Infeed and outfeed Conveyor Extensions



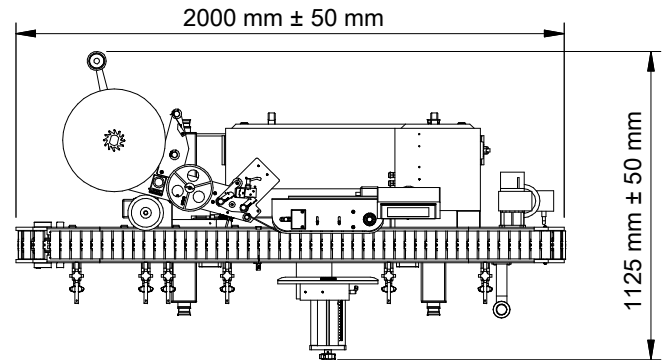
• Hot Stamp (Lot/Date Coding)



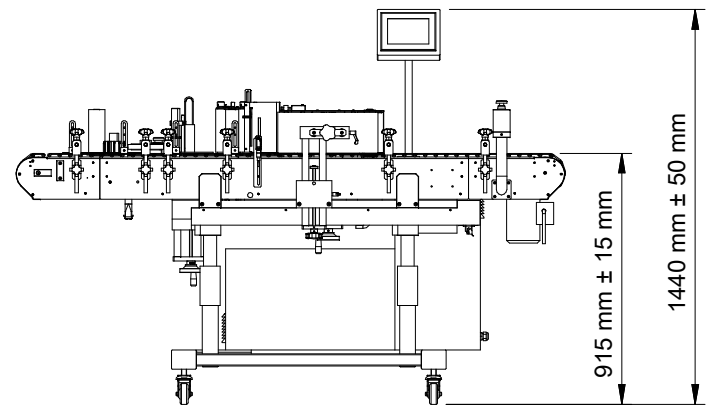
• Bottle Reject System

MACHINE LAYOUTS

Top View



Front View



Technical data contained in this material are not binding and may be subject to change without prior notice.



Contact Us

USA

10861 Business Drive, Fontana, CA 92337
Phone: +1 (909) 355-0311
www.cvcusa.com ; www.cvctechnologies.com
sales@cvcusa.com

Taiwan-Asia Pacific Headquarters

Phone: +886 (4) 2496-3666
sales@cvctechnologies.com

India

Phone: +91 (22) 2562-1242, +91 (22) 2562-1243
sales@cvctechnologies.com

China

Phone: +86 (512) 8363-6368
sales@cvctechnologies.com

