



FLAT CARTON SERIALIZATION

TRACK and TRACE SYSTEM - CVC 200T



The CVC Flat Carton Serialization Track and Trace System Machine is a compact system designed for packaging and pharmaceutical serialization and track & trace requirements.

STANDARD FEATURES

- Flat Carton Stack Feeder for non-stop operation, every single flat carton is well separated and fed.
- Fully integrated printer and camera.
- Compact and off-line operation.
- Belt speeds are synchronized for smooth flat carton transportation.
- Exceptional print quality, print speed is synchronized with the system speed.
- Use with a vision camera to check and verify code and print information.
- Reliable ejection mechanism for verification failure cartons
- A wireless handheld bar code reader allows operator to manually read the codes printed on serialized cartons from the CVC Serialization Track and Trace system.
- UPS (Uninterruptible Power Supply) is to provide power failure protection of the computer system.
- Siemens PLC.
- Type 304 stainless steel bin, frame, enclosure panels.
- ISO 9001 : 2015 certified



CVC 200T Technical Specifications

Productivity	Up to 120 PPM (subject to trial confirmation)
Operator's Interface	IPC ADVANTECH Industrial PC 15" Touch Screen
Print System	Domino Gx-series inkjet printer - Applicable for printing GTIN, Batch Number, EXP, SN and Data Matrix Codes.
Vision Camera Verification System	- Type of Camera: Cognex In-Sight 7801 - Camera light source holder is included.
Applicable Size	Cartons (L x W x H): 70-200 x 105-260 x 0.1-2.0 mm
Power Source	220V, 50/60 HZ, 1 PH
Power Consumption	800 VA (3.6 A)
Air Pressure	6 bar (87 psi)
Air Consumption	20.96 NL/min (0.74 CFM)
Machine Dimension (L x W x H)	1,765 x 705 x 1,945 mm (5'-9" x 2'-4" x 6'-4")
Machine Weight	247 kg (543 lbs)

Technical data contained in this material are not binding and may be subject to change without prior notice.

TECHNICAL SPECIFICATIONS

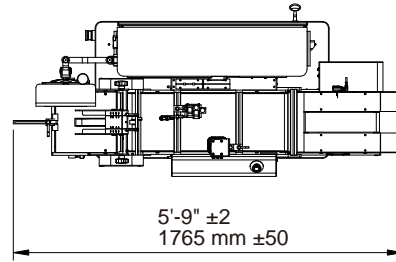
AVAILABLE OPTIONS

- 21 CFR PART 11 compliance
- OPC UA for data collection

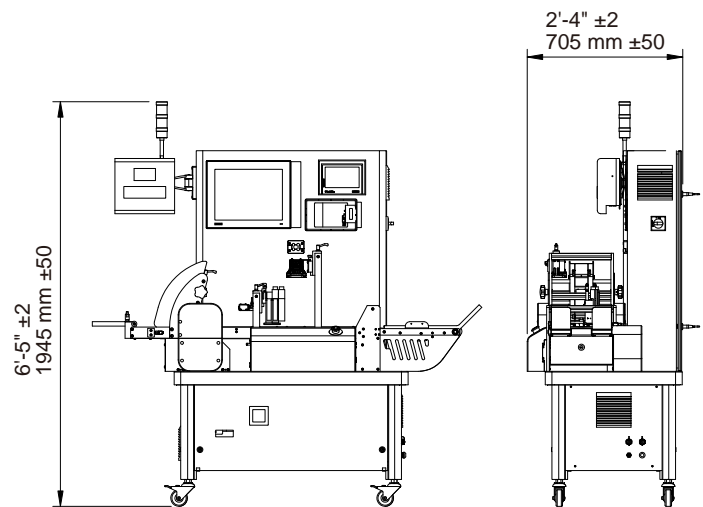


MACHINE LAYOUTS

Top View



Front View



Technical data contained in this material are not binding and may be subject to change without prior notice.



CVC TECHNOLOGIES, INC.



Contact Us

USA

10861 Business Drive, Fontana, CA 92337
Phone: +1 (909) 355-0311
www.cvctechnologies.com
sales@cvcusa.com

Taiwan-Asia Pacific Headquarters

Phone: +886 (4) 2496-3666
sales@cvctechnologies.com

India

Phone: +91 (22) 2562-1242, +91 (22) 2562-1243
sales@cvctechnologies.com

China

Phone: +86 (512) 8363-6368
sales@cvctechnologies.com