



WRAP-AROUND LABELER

CVC 302



The CVC 302 High Speed Wrap Labeler is built to automatically apply pressure sensitive labels onto round containers at up to 250 bottles per minute. The CVC 302 is servo motor controlled, comes standard with a touch screen HMI, and can be ordered with various inspection options including bar code verification, vision, and missing label detection. The CVC 302 is an ideal machine for contract packagers and manufacturers serving the pharmaceutical, nutraceutical, and food markets.

The CVC 302 can run stand alone or integrated into a full packaging line.

STANDARD FEATURES

- Self Set™ Auto Adjusting Control System
- HMI touch screen
- Automatically generate production and alarm reports on system
- Stainless Steel Frame on lockable casters
- Stainless Steel flatbed conveyor with table top chain
- Servo Motor control
- Label head with up to ± 1 mm accuracy
- Variable Speed Separator Wheel
- Type 304 stainless steel construction
- ISO 9001 : 2015 certified



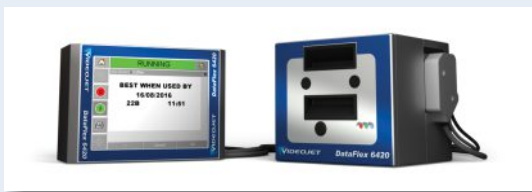
CVC 302 Technical Specifications

Speed	Rates in Excess of 250 Bottles Per Minute (Format Dependent)
Bottle Diameter	1¼" to 4¼" (Ø30 mm - Ø110 mm)
Bottle Height	2" to 8¾" (50 mm - 220 mm)
Label Width / Height	Configurable from ½" to 11½" (15mm - 265mm) dependent on label head type
Label Length	½" to 10" (15mm - 250mm)
Label Roll	Max 16" (400mm) outside diameter with 3" (76mm) core
Conveyor Width	Configurable up to 4" (100mm)
Power Source	220V, 50/60HZ, 1PH
Power Consumption	880 VA (4 Amp)
Air Pressure	6 bar (87 psi) (ISO 8573-1)
Air Consumption	78.5 NLit/m (2.8cfm) (for optional reject and Lot/Date printer)
Machine Dimension	10'-1" x 4'-3" x 7'-0" (3,080 mm x 1,295 mm x 2,125 mm) (L x W x H)
Machine Weight	370 kg (814 lbs)
Noise Level	≤ 75 dB

TECHNICAL SPECIFICATIONS

AVAILABLE OPTIONS

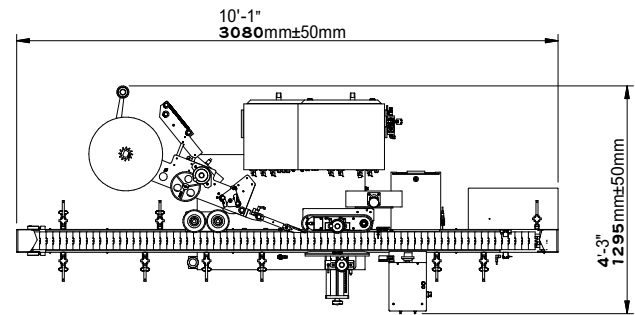
- Hot Stamp (Lot/Date Coding)
- Integrated Thermal Encoder (Lot/Date, Bar Code and Graphics)
- Adjustable Tilt for Tapered Bottles
- Bottle Rejection system (air blow or cylinder)
- Clear Label Sensor
- Custom Wrap Belts and Feed Screw
- Infeed and Outfeed Conveyor Extensions
- Bar Code verification
- Detection for end of label roll or/and label web break off(Factory Installed Only)
- Missing Label Detection System (UV)
- Outfeed Turntable
- Missing Imprint Check system
- 21 CFR PART 11 compliance
- OPC UA for data collection



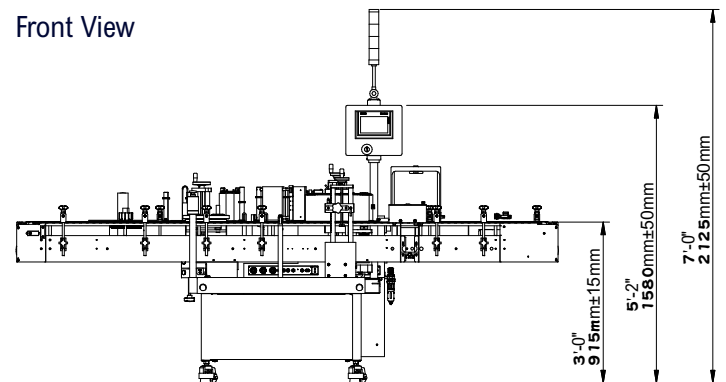
THERMAL TRANSFER PRINTER

MACHINE LAYOUTS

Top View



Front View



The dimensions shown are for standard machine. The conveyor can be extended: the length may vary based on selected options. This machine can run independently or be integrated into an automated packaging line. All CVC equipment is covered by a one-year parts warranty. Full Warranty details are included in our equipment proposals.



Contact Us

USA

10861 Business Drive, Fontana, CA 92337
Phone: +1 (909) 355-0311
www.cvctechnologies.com
sales@cvcusa.com

USA East Coast Office

1855 New Highway, Suite C, Farmingdale NY 11735
sales@cvcusa.com

Taiwan-Asia Pacific Headquarters

Phone: +886 (4) 2496-3666
sales@cvctechnologies.com

China/India

sales@cvctechnologies.com