



TOP LABELER CVC 200



The CVC 200 Top Labeler is built to automatically apply pressure sensitive labels onto the top or side of flat and indented containers. The 200 comes standard with a 6" wide belt conveyor and is ideal for contract packagers and manufacturers serving the nutraceutical, food, cosmetic, personal care, and consumer electronic markets.

All CVC labelers include our patented Self Set™ software which utilizes a high frequency encoder for extremely easy setup and wrinkle free labeling at the touch of a button.

STANDARD FEATURES

- Self-Set Auto Adjusting Control System
- Stainless Steel Frame on lockable casters
- Stainless Steel flatbed conveyor, 6" wide endless green belt
- Touchscreen HMI
- Label head with up to $\pm 1/32$ " accuracy (* bottles / containers dependent)
- Label Sensor for Paper or Opaque Labels
- Capacity: up to 200 bottles per minute (BPM)



CVC 200 Technical Specifications

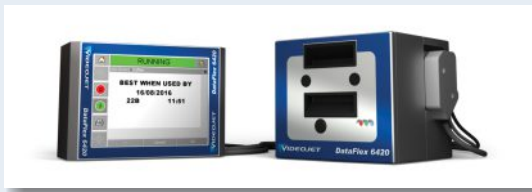
Speed	Up to 200 Bottles per Minute (BPM)
Product Height	1" to 7 1/4" (51mm - 406mm)
Product Width	1" to 10" (25mm - 254mm) dependent on conveyor width
Product Length	1" to 11" (25mm - 279mm)
Label Width / Height	3/8" to 6" (16mm - 152mm) dependent on label head type
Label Length	1/4" to 10" (16mm - 254mm)
Label Roll	Max 14" (356mm) outside diameter with 3" core
Dispense Speed	Max 24 meters / min.
Conveyor Width	Standard 6" (Configurable 10")
Conveyor Length	Standard 52 1/4"
Conveyor Bed Height	Standard 36" (± 2 ")
Power	110V, Single Phase, 3.5 Amp (220V optional)
Air Pressure	Minimum 90 psi
Air Consumption	4 cfm (for optional reject and Lot/Date printer)
Machine Weight	130 kg

Note: The actual rates may vary significantly depending on the following: products, product characteristics, required fill counts, quantity or volume, and bottle dimensions.

TECHNICAL SPECIFICATIONS

AVAILABLE OPTIONS

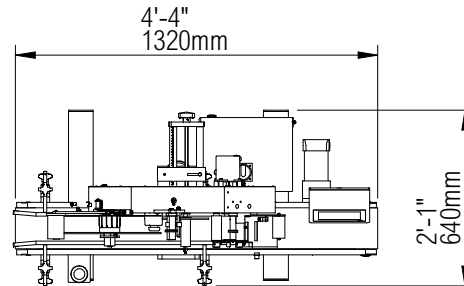
- Hot Stamp (Lot/Date Coding)
- Integrated Thermal Encoder (Lot/Date, Bar Code and Graphics)
- Clear, Metallic or Color Label Sensor
- Dataflex or similar Lot/Date Code Printer
- End to End transfer plates
- Infeed and Outfeed Conveyor Extensions
- Separator wheel for controlled spacing



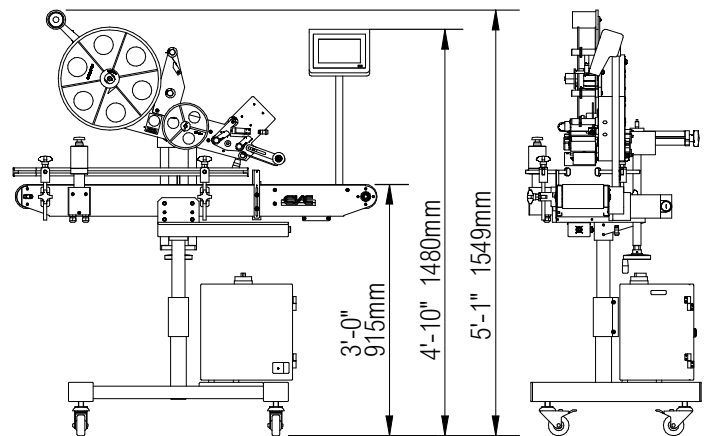
THERMAL TRANSFER PRINTER

MACHINE LAYOUTS

Top View



Front View



The dimensions shown are for standard machine. The conveyor can be extended: the length may vary based on selected options. This machine can run independently or be integrated into an automated packaging line. All CVC equipment is covered by a one-year parts warranty. Full Warranty details are included in our equipment proposals or can be found on our website.



Contact Us

USA
10861 Business Drive, Fontana, CA 92337
Phone: +1 (909) 355-0311
www.cvctechnologies.com
sales@cvcusa.com

USA East Coast Office
1855 New Highway, Suite C, Farmingdale NY 11735
sales@cvcusa.com

Taiwan-Asia Pacific Headquarters
Phone: +886 (4) 2496-3666
sales@cvctechnologies.com

China/India/Indonesia
sales@cvctechnologies.com